

10

Grouting & Injection

geoprobe.com/grouting-injection



Pressure Activated Injection Probes

Grouting isn't glamorous, so we've tried to make it as painless as possible.

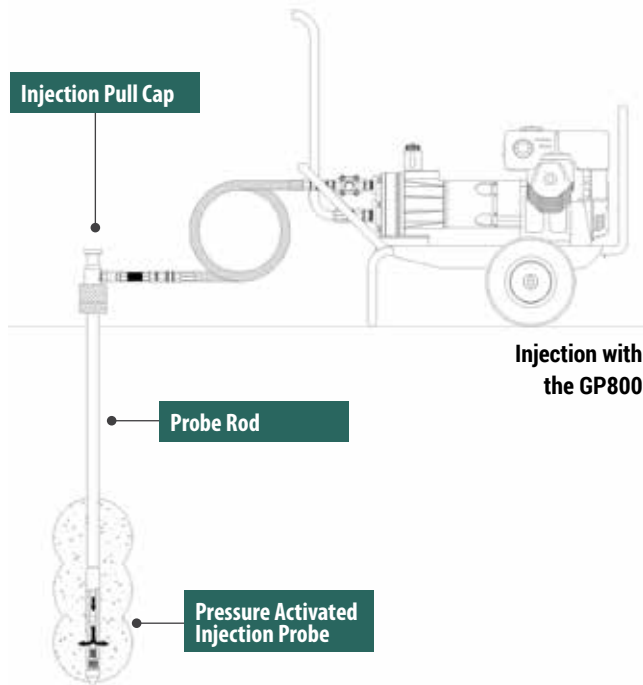
GP300 and GP350 are designed primarily for injection of high viscosity hydrogen release compound (HRC). These grouting systems are capable of standard bentonite grout mixes and most other remediation materials.

GP800 is designed to withstand the corrosiveness of oxidizers when injecting permanganates and peroxides as well as the high-injection volume requirements of these materials.

GP800

geoprobe.com/gp800

Components	Part	MN	Notes
	GP800 Injection Pump	213991	
	DP800 Suction Hose	203471	6 ft.
	DP800 Injection Hose	203472	15 ft., Stainless Steel Jacket
	DP800 Pressure Relief Hose	203837	4 ft.



GP350

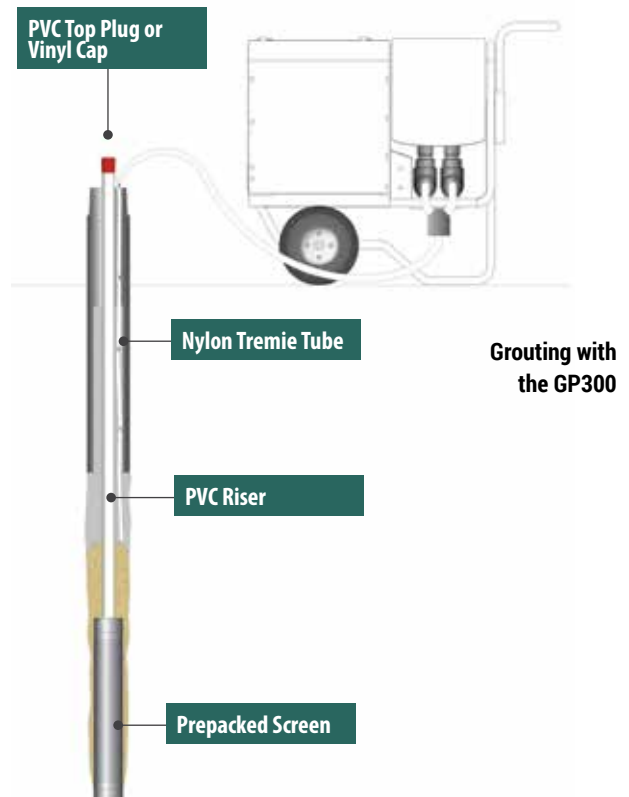
geoprobe.com/gp350

Components	Part	MN	Notes
	GP350 Injection / Grout System	213988	
	Grout Hopper Strainer	202853	
	Power Cord / Hydraulic Hose	210736	20 ft., GP350
	Flow Combiner	202926	

GP300

geoprobe.com/gp300

Components	Part	MN	Notes
	GP300 Injection / Grout System	213987	
	Grout Hopper Strainer	202853	
	Flow Combiner	202926	



Tools and Accessories

Components	Part	MN	Notes
	2.25 in. Grout / Injection Pull Cap	207845	3/4 in. Quick Connect Hose
	O-Ring	105017	Used in 207845
	2.25 in. Pressure Activated Injection Probe	209375	
	Pressure Activated Injection Probe Check Valve Kit	203849	
	O-Ring	100402	For Check Valve
	O-Ring	102274	For Injection Point
	O-Ring	100397	For Injection Point Shoe
	2.25 in. Injection Probe Spring	116171	
	1.5 in. Grout / Injection Pull Cap	202930	1/2 in. Quick Connect Hose
	1.5 in. Pressure Activated Injection Probe	203904	4 x 1/4 in. Ports
	1.25 in. Grout / Injection Pull Cap	202929	1/2 in. Quick Connect Hose
	1.25 in. Pressure Activated Injection Probe	203387	4 ports
	1.5/1.25 Pressure Activated Injection Probe Replacement Spring	102892	100 psi
	1.5/1.25 Pressure Activated Injection Probe Replacement Spring	104815	50 psi
	O-Ring (Grout / Injection Pull Cap / Hose)	203208	Quantity: 5
	O-Ring (Grout / Injection Pull Cap / Hose VT)	103152	Quantity: 5
	Grout Line Pressure Relief	203870	3/4 in. Quick Connect
	Grout Line - 1000 PSI Gauge & Relief Valve	214007	1/2 in. Quick Connect
	Grout Line - 1000 PSI Gauge & Relief Valve	202362	3/4 in. Quick Connect
	Grout Line - 3000 PSI Gauge & Relief Valve	202360	3/4 in. Quick Connect
	Injection Hose w/ Ball Valve 1.5	202976	3/4 in. Quick Connect
	Injection Hose w/ Ball Valve 1.25	202357	3/4 in. Quick Connect
	Grout Hose High Pressure	214004	30 ft. x 3/8 w/ 1/2 in. Quick Connect
	Grout Hose High Pressure	214003	20 ft. x 3/8 w/ 1/2 in. Quick Connect
	Grout Hose High Pressure	214002	10 ft. x 3/8 w/ 1/2 in. Quick Connect
	Grout Hose High Pressure	212640	12 ft. x 3/4 w/ 3/4 in. Quick Connect
	Grout Hose High Pressure	203197	12 ft. x 1/2 w/ 3/4 in. Quick Connect
	Nylon Tubing	600144	3/8 in. OD x 1/4 in. ID x 100 ft.

Tools and Accessories

Components	Part	MN	Notes
	Grout Tubing Adapter	214005	3/8 in. BARB
	Grout Tubing Clamp	214006	
	Grout Spatula	107471	40 in.
	Grout Measuring Scoop	107472	2 quart
	Bentonite 200 Mesh Powder	600992	50 lb. Bag
	O-Ring	103157	Quantity: 25

Service Parts

Components	Part	MN	Notes
	Grout Machine Outlet Ball Retainer	202200	
	T-Valve Section w/Steel Ball	202863	For use with GP300/350, 00/1000/2000/2200
	Outlet Check Ball	214380	Modified 1.25 in.
	Spring Ext	102642	.359 OD x 1.25 LG x .045
	T-Valve Section w/Nylon Ball	202203	For use with GP300/350, 00/1000/2000/2200.
	Inlet Ball Retainer	200488	GP300/350, GS500/ GS1000
	T-Valve ASM w/Nylon Ball	204961	GS500/1000
	Outlet Ball Retainer	200718	GS500/1000
	T-Valve Rebuild Kit	213997	GS500/1000
	Grout Cylinder Cup Replacement Kit	213999	GS500/1000
	Piston Cup Rebuild Kit	214000	GS500/1000
	Hydraulic Cylinder Seal Kit	214001	GS500/1000
	Injection Cylinder	202746	GS2000/GS2200
	Hydraulic Cylinder Seal Kit	202942	GS2000/GS2200
	Piston Cup Rebuild Kit	202943	GP300/350, GS2000/2200
	VITON Piston Cup Kit	203216	GP300/350, GS2000/2200
	T-Valve Rebuild Kit	202944	GP300/350, GS2000/2200
	VITON T-Valve Kit	203215	GP300/350, GS2000/2200
	Diaphragm / Seal Repair Kit	600293	